

ICS226 Compact Scale



ICS226 Compact Scale

Full stainless steel construction

IP67 Terminal, IP65 Base

Capacities from 6 to 30 lb

Over/Under checkweighing

Easy handling and operation

Robust and reliable

Mobile, Ergonomic, Compact
for Light Wash Down Applications

METTLER TOLEDO

Portable Flexibility in Light Wet & Humid Environments

The ICS226 Compact Scale is an ideal portable scale solution for weighing and portioning in food production and packaging applications. This full stainless steel scale is IP65/IP67 protected and a good fit in any light wash down application with a need for ruggedness and durability.

This scale is designed for efficient out-of-the-box simple weighing applications and optimized for easy and fast checkweighing. Its large, intuitive and

fast LCD-display with an excellent visibility checkweighing indicator speeds up production and helps to prevent manual operation errors.

The ICS226 Compact Scale is front mounting, and together with its duplicated Zero/Tare keys provides for ergonomic handling and operation at all time.



Technical Specifications

Display	6 digit LCD, with white backlight
	Heights 30mm
Approval	NTEP, III, 3,000 e
Optional Readability	6,000 d / 7,500 d
Power Supply	100 ~ 240 VAC
	6V Ni-MH rechargeable battery 3800mAh
Ingress Protection	IP65/IP67
Material	Scale: Stainless steel, AISI304
	Load cell: Stainless steel potted
Applications/Features	Simple weighing, Checkweighing, Unit switch
Platform Size	228 x 228 mm / 8.98 x 8.98"



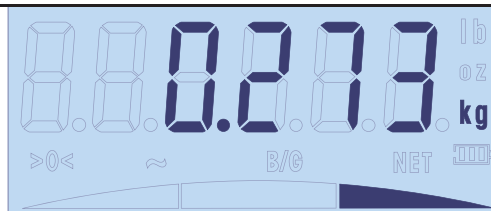
Stainless Steel Load Cell

The advanced and state of the art technology makes this load cell a perfect choice for light wash down applications.



Highest Manufacturing Flexibility

Removable handles and the high quality Ni-MH rechargeable battery make the ICS226 a fully portable and mobile scale for flexible operation everywhere in the facility.



Bright, Easy to Read Display

The ICS226 Compact Scale provides a large and excellent visible LCD-Display and an intuitive graphic checkweighing indicator for outstanding readability.

G: 2.500 kg
 T: 0.300 kg
 N: 2.200 kg

RS232 Interface
 Connect to printer to print basic weighing data.



Unique, Ergonomic and Rugged Keypad Design

The high quality membrane keys and the duplicated Zero/ Tare buttons provide a long life time and allow for user adapted handling of the terminal.

Standard Configurations

Power			
Model	Capacity/Readability	Installation	Product Size
ICS226-QA3F with RS232	6lb/0.002lb	Front	375 x 331 x 86 mm 14.76 x 13.03 x 3.39"
ICS226-QA6F with RS232	15lb/0.005lb	Front	
ICS226-QA15F with RS232	30lb/0.01lb	Front	
Internal Rechargeable Battery			
ICS226-QA3FCL with RS232	6lb/0.002lb	Front	375 x 331 x 86 mm 14.76 x 13.03 x 3.39"
ICS226-QA6FCL with RS232	15lb/0.005lb	Front	
ICS226-QA15FCL with RS232	30lb/0.01lb	Front	

Optional Configurations

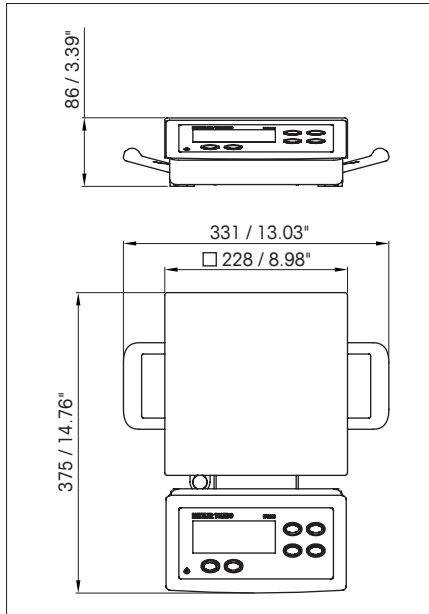
Power			
Model	Capacity/Readability	Installation	Product Size
ICS226-QA3F with RS232	6lb/0.002lb	Column	302 x 331 x 390 mm 11.89 x 13.03 x 15.35"
ICS226-QA6F with RS232	15lb/0.005lb	Column	
ICS226-QA15F with RS232	30lb/0.01lb	Column	
Internal Rechargeable Battery			
ICS226-QA3FCL with RS232	6lb/0.002lb	Column	302 x 331 x 390 mm 11.89 x 13.03 x 15.35"
ICS226-QA6FCL with RS232	15lb/0.005lb	Column	
ICS226-QA15FCL with RS232	30lb/0.01lb	Column	

Optional Configurations*

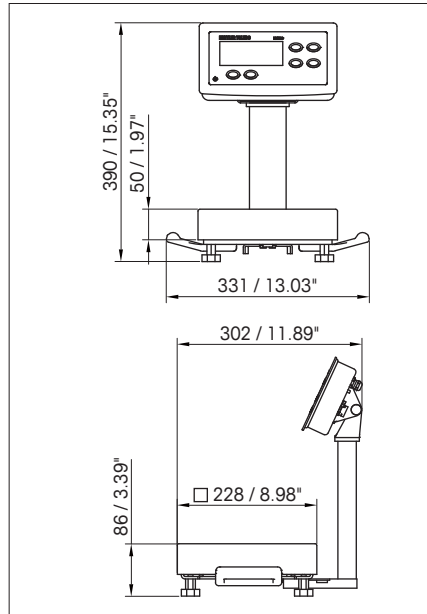
* Please order accessory, 30104487 ICS226 column kits, to change front to column installation.

Dimension (mm/inches)

Front mounting



Column mounting*



www.mt.com

Visit for more information

METTLER TOLEDO



USA
1900 Polaris Parkway
Columbus, Ohio 43240
Tel. (800) METTLER
Fax (614) 438-4525
Internet: www.mt.com
Email: TellMeMore@mt.com



Canada
2915 Argentia Road, Unit 6
Mississauga, Ontario L5N 8G6
Tel. (800) METTLER
Fax (800) 786-0042

METTLER TOLEDO® is a registered trademark
Of Mettler-Toledo, LLC.

Subject to technical changes
© 09/2013 Mettler-Toledo, LLC
Printed in USA
30095988-R1 2013/09